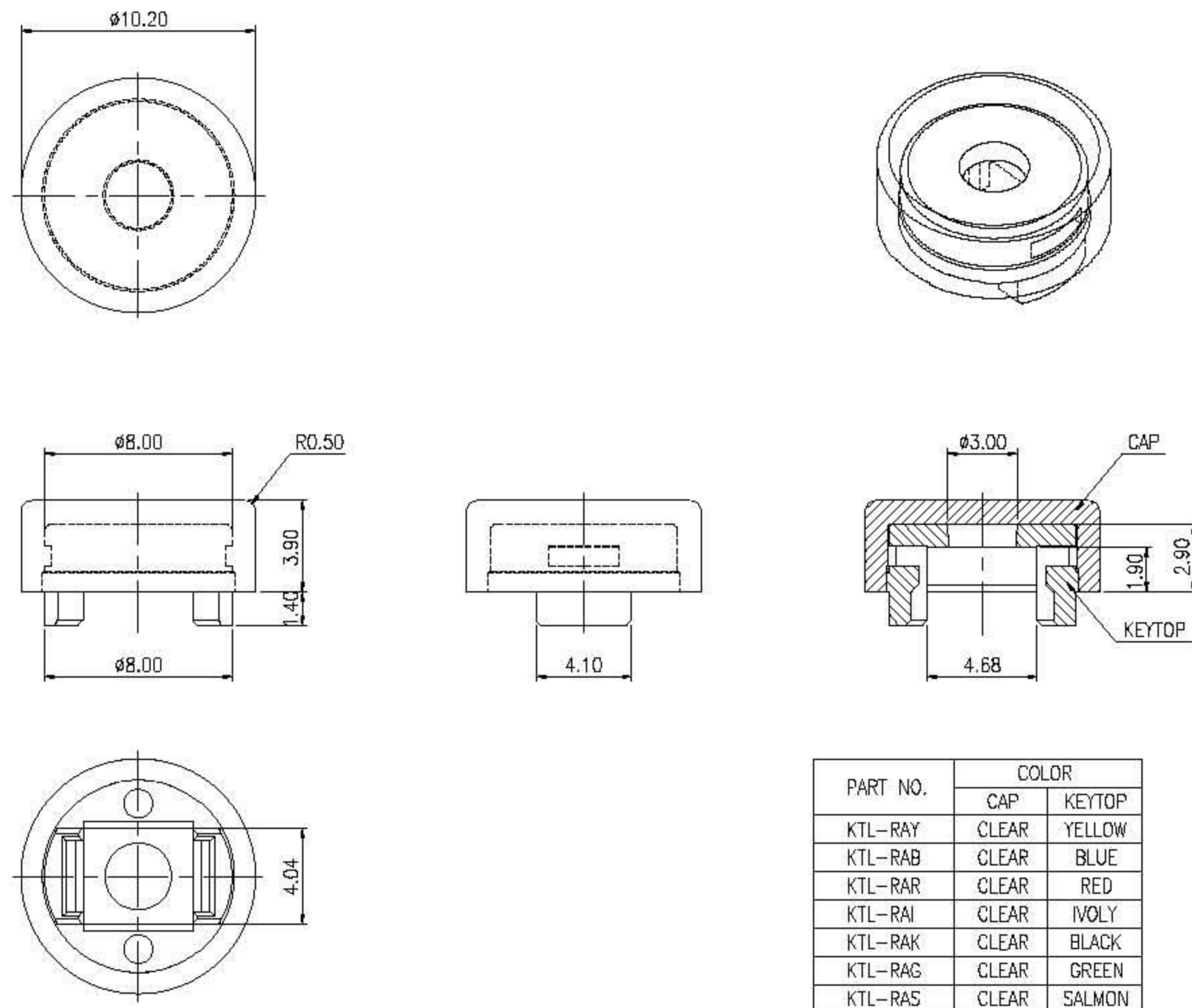


KTL SERIES



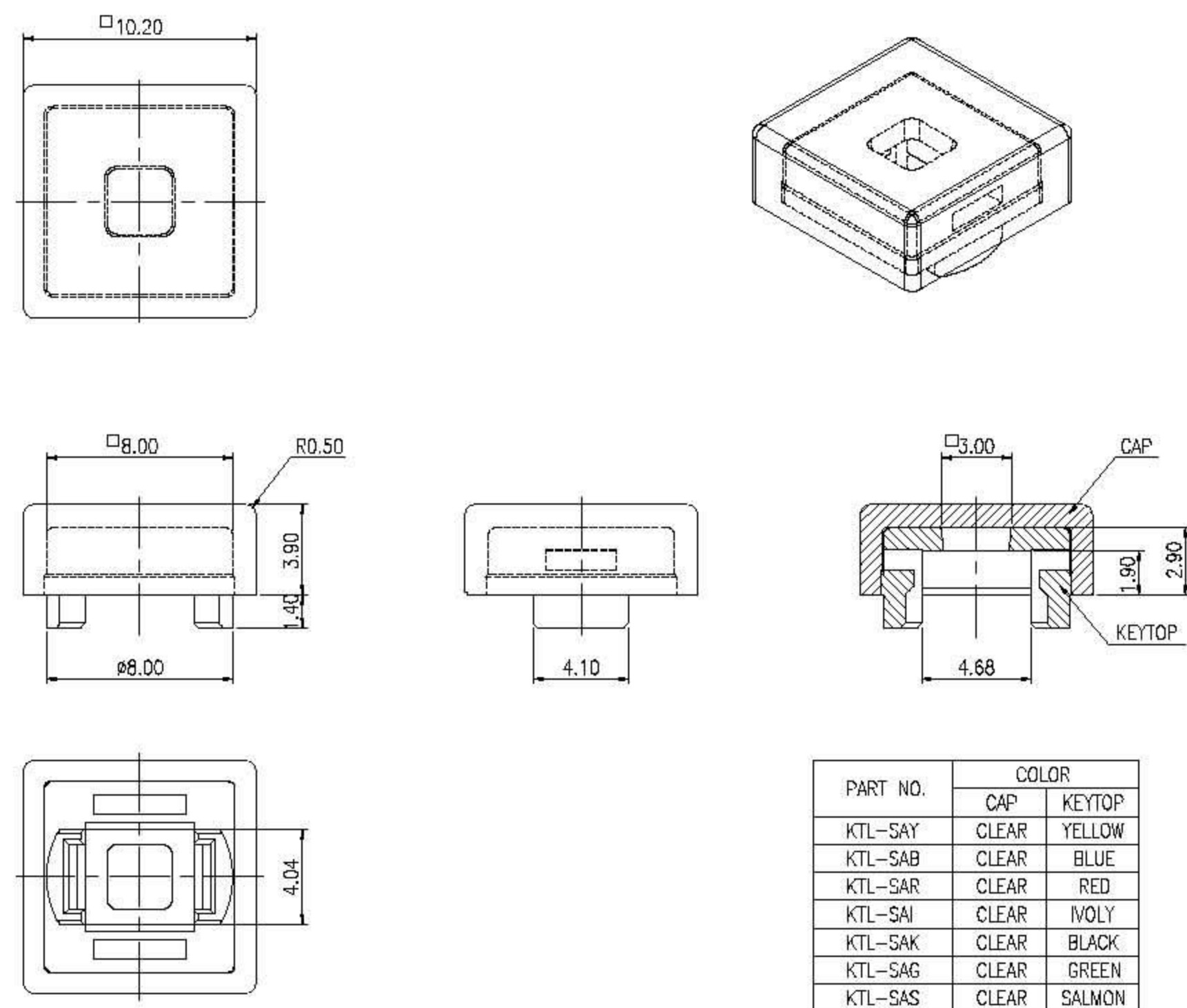
DIMENSIONS

KTL-RA



General Tolerance : $\pm 0.2\text{mm}$

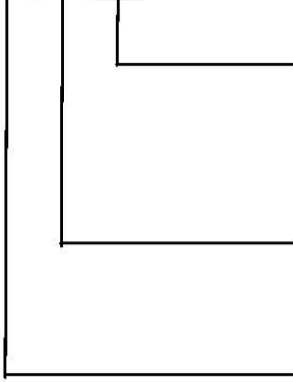
KTL-SA



General Tolerance : $\pm 0.2\text{mm}$

CAP PART NO.

K T L -



Type :
R = Round
S = Square

Type :
A = Round 10mm or Square 10mm

Color :
Y = Yellow
B = Blue
R = Red
I = Ivory
K = Black
G = Green
S = Salmon